

TREBOR BUILDING PRODUCTS LTD.

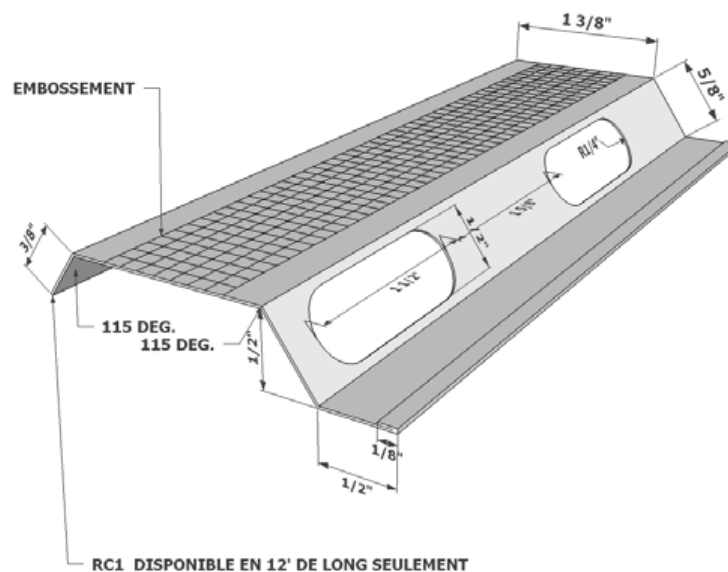
1499-B Star Top Road, Gloucester, Ontario K1B 3W5
TEL.: (613) 749-6600 FAX: (613) 749-2790

TECHNICAL DATA SHEET

RESILIENT CHANNEL

Our resilient channels meet Canadian steel standards established by CSSBI (Canadian Institute of Sheet Steel Building).

They are available in one thickness: .018" and are manufactured only in lengths of 12'; see dimensions below:



The resilient channel is used to provide a $\frac{1}{2}$ " thick air barrier between two partitions, in order to reduce noise. The holes and the shorter side of the left leg allow air to circulate over the entire inner surface of the partition. It is usually used inside the building.

Galvanizing used for the components is described in the CSSBI Technical Bulletin of February 2006, G60 (Z-180) for all thicknesses.

