

TREBOR
BUILDING PRODUCTS LTD.

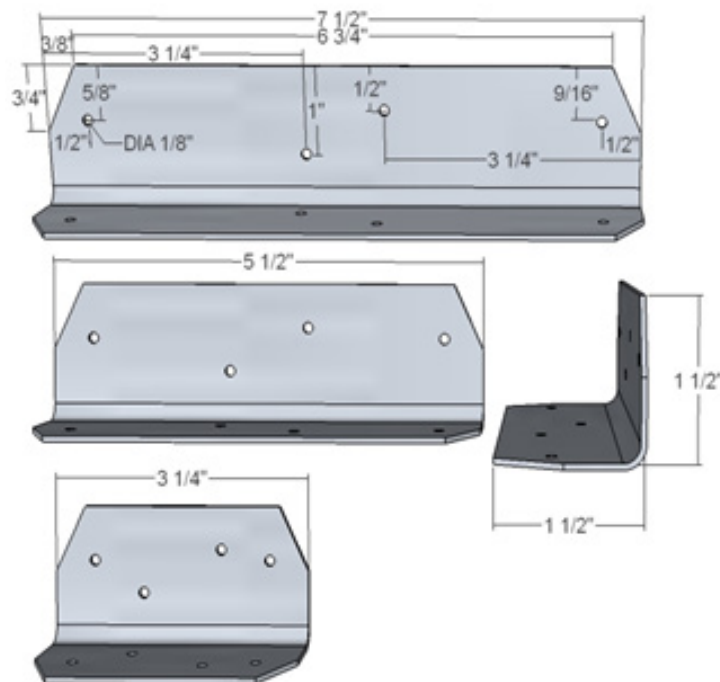
1499-B Star Top Road, Gloucester, Ontario K1B 3W5
TEL.: (613) 749-6600 FAX: (613) 749-2790

TECHNICAL DATA SHEET

BRIDGING CLIP

Our bridging clips meet Canadian steel standards established by CSSBI (Canadian Institute of Sheet Steel Building) ASTM-C645.

They are available in three standard lengths: 3 1/4" (82mm), 5 1/2" (139mm) and 7 1/2" (191mm). They are offered in two thicknesses: .045" (1.14mm) and .056" (1.42mm); see dimensions below:



These clips are used to secure the carrying channel to the stud.

They can be used for interior or exterior applications.

Galvanizing used for the components is described in the CSSBI Technical Bulletin of February 2006, G60 (Z-180) for all thicknesses.

