

TREBOR
BUILDING PRODUCTS LTD.

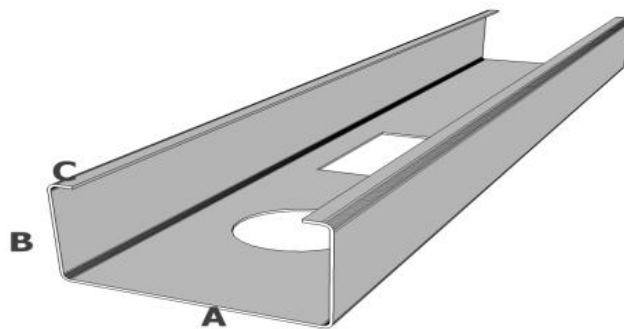
1499-B Star Top Road, Gloucester, Ontario K1B 3W5
 TEL.: (613) 749-6600 FAX: (613) 749-2790

TECHNICAL DATA SHEET

METAL STUD

Our metal studs meet Canadian steel standards established by CSSBI (Canadian Institute of Sheet Steel Building) ASTM-C645.

They are available in standard widths and thicknesses. They are offered in standard and custom lengths; see dimensions below:



DIMENSION A	DIMENSION B	DIMENSION C	ÉPAISSEURS DISPONIBLES
1 5/8" (41mm)	1 1/4" (31mm)	1/4" lip	.018"(.46mm) .034"(.86mm) .045" (1.14mm) .056" (1.42mm)
2 1/2" (64mm)	1 1/4" (31mm)	1/4" lip	
3 5/8" (92mm)	1 1/4" (31mm)	1/4" lip	
4" (102mm)	1 1/4" (31mm)	1/4" lip	
6" (152mm)	1 1/4" (31mm)	1/4" lip	
8" (203mm)	1 1/4" (31mm)	1/4" lip	

Galvanizing used for the components is described in the CSSBI Technical Bulletin of February 2006, G60 (Z-180) for all thicknesses. Also available in G90 (Z-275) when needed.

