

TREBOR
BUILDING PRODUCTS LTD.

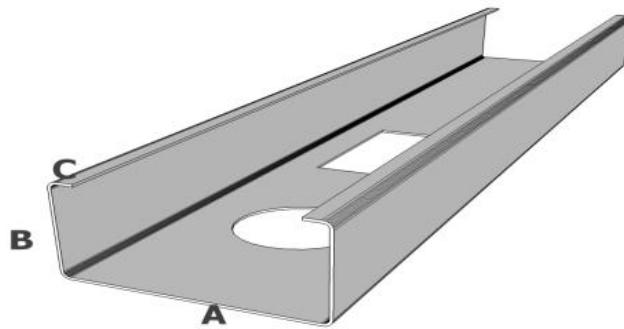
1499-B Star Top Road, Gloucester, Ontario K1B 3W5
TEL.: (613) 749-6600 FAX: (613) 749-2790

TECHNICAL DATA SHEET

LOAD BEARING STUD

Our load-bearing studs meet Canadian steel standards established by CSSBI (Canadian Institute of Sheet Steel Building) ASTM-C645.

They are available in standard widths and thicknesses. They are offered in standard and custom lengths; see dimensions below:



DIMENSION A	DIMENSION B	DIMENSION C	ÉPAISSEURS DISPONIBLES
3 5/8" (92mm)	1 5/8" (41mm)	1/2" lip	.018" (.46mm)
6" (152mm)	1 5/8" (41mm)	1/2" lip	.034" (.86mm)
8" (203mm)	1 5/8" (41mm)	1/2" lip	.045" (1.14mm)
			.056" (1.42mm)
			.068" (1.73mm)

Galvanizing used for the components is described in the CSSBI Technical Bulletin of February 2006, G60 (Z-180) for all thicknesses. Also available in G90 (Z-275) when needed.

